

Metz mecablitz System SCA 300/3000: Which adapter fits your camera?

www.ianbfoto.com

1. Define the group of your flash unit on the basis of the illustrations shown below.
 - Group A and B:
SCA 300 flash units
 - Group C and D:
SCA 3000 flash units
 - Group E and F:
Special case Nikon F3
 - Group G and H:
Special case Pentax LX
2. Select the corresponding camera model in the table.
3. The correct SCA adapter and the possible special flash functions are assigned to the given camera model and the corresponding flash unit group. Where several adapters are listed it is always advisable to select the one that offers the highest number of special flash functions.

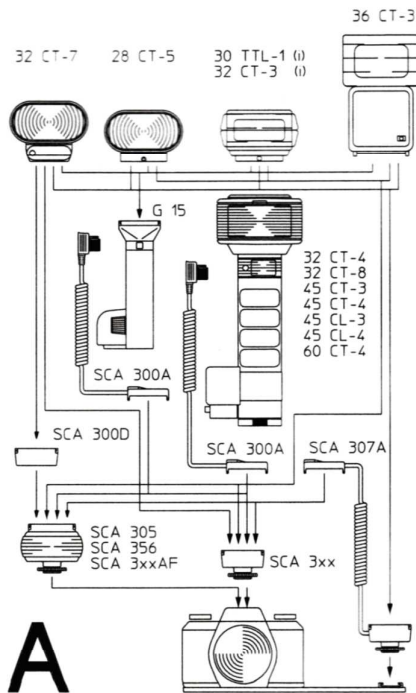
The following should be observed:

● Function performed by the adapter

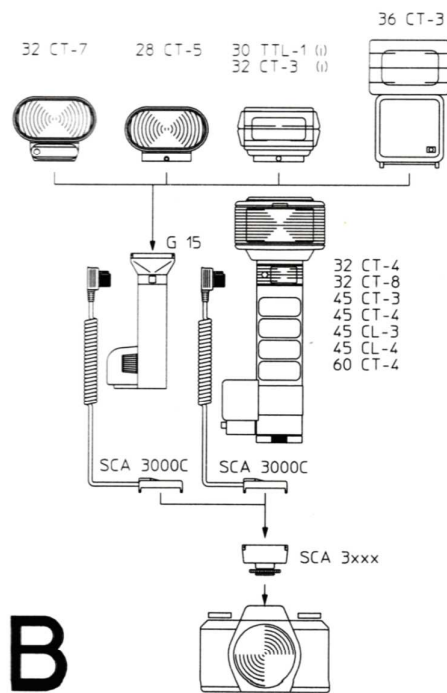
- 1) Sold by the camera manufacturer
- 2) Only as of Adapter-Model M1
- 3) Only as of Adapter-Model M2
- 4) Only as of Adapter-Model M3
- 5) With Minolta controller
- 6) With Minolta base FS 1200

○ Function performed by the camera

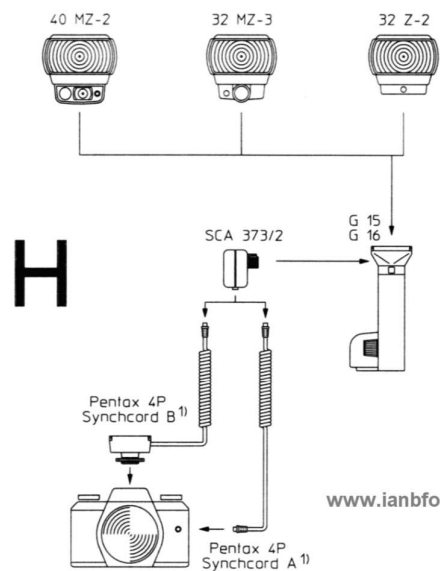
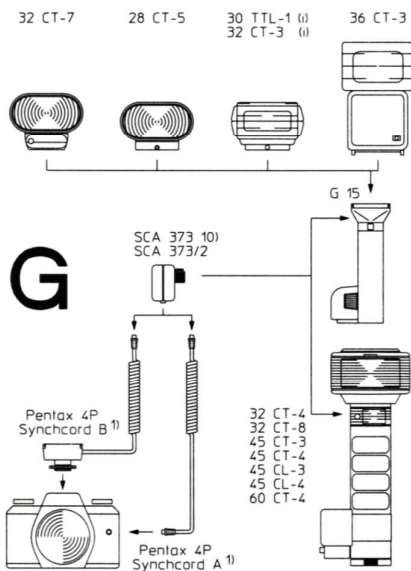
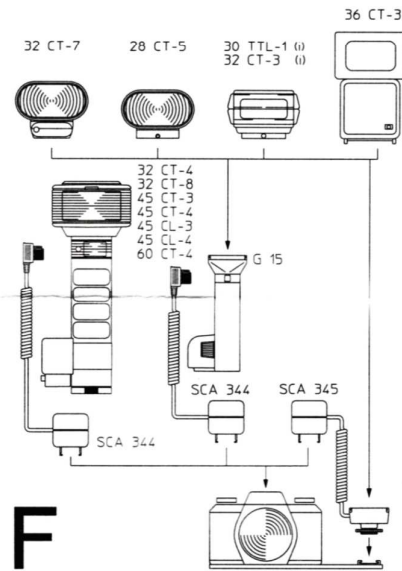
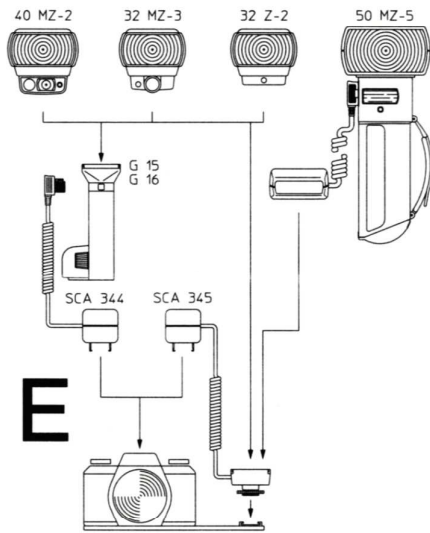
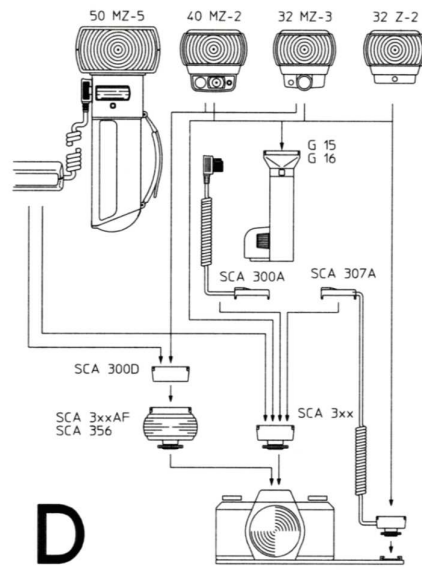
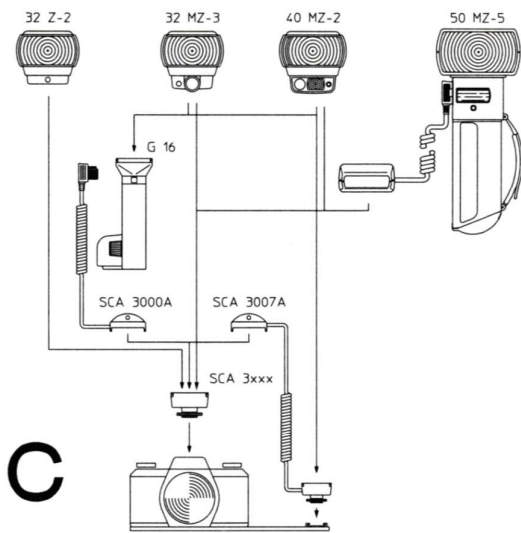
- 7) In so far as possible/exists with given flash unit
- 8) Only for handle-mount flashguns except 50 MZ-5
- 9) Not with 32 Z-2
- 10) Only for 60 CT 4
- 11) Not with SCA 346/2 AF, models M2 and M3



A



B



	Flash unit group	SCA adapter code	Flash ready light in camera viewfinder	Correct exposure light in camera viewfinder	Automatic flash synch	TTL flash control	TTL fill-in flash control	TTL flash exposure correction	A-TTL flash control	Cordless TTL flash control ⁷⁾	Triggering control	Synchronization with 1st or 2nd shutter-blind	Power zoom reflector control ⁷⁾	Autofocus measuring beam control ⁷⁾	Flash range indication ⁷⁾	Automatic flash programs	Automatic aperture control	Contrast control	3-D multi-sensor measurement ⁷⁾	Red-eye reduction facility ⁷⁾	Connecting cable SCA 3000 C Adaptation of SCA 3000 adapters to SCA 300 handle-mount flashguns and compact flash units with Power Grip G 13
Bronica																					
ETRSi/SQ-Ai	A D	386 1/8	●	●		●															
Canon																					
A-1/AE-1/ F-1 New/T50/T70/T80	A D	310 311	● ●		● ●												● ●				
AE-1 Program	A D	310 311	● ●	●	● ●												● ●				
AL-1/AV-1	A D	310 311	● ●		● ●																
AT-1	A D	310 311	● ●		● ●																
T90	A D	310 311	● ●		● ●	●						●					● ●				
EOS 1/EOS 1N (nicht mit SCA 311)/EOS 600/ EOS RT/EOS 630	A D C B	311 312/2AF 3101	● ● ●		● ● ●	●	●	●	●			●	●	●	●	●	●				●
EOS 620/EOS 650	A D C B	311 312/2AF 3101	● ● ●		● ● ●	●		●				●	●	●	●	●	●				●
EOS 10/EOS 10S/ EOS 5/EOS 500/EOS 5000	A D C B	311 312/2AF 3101	● ● ●		● ● ●	●	●	●	●			●	●	○	●	●	●				●
EOS 100/Elan	A D C B	311 312/2AF 3101	● ● ●		● ● ●	●	●	●	●			●	●	○	●	●	●				●
EOS 1000/EOS 1000F/ EOS 1000FN/Rebel/ Rebel S/EOS 500N/EOS 1000N EOS 50E, EOS Elan 2, EOS 55	A D C B	311 312/2AF 3101	● ● ●		● ● ●	●	●	●	●			●	●	●	●	●	●				●
EOS 700/EOS 750/ EOS 850	A D C B	311 312/2AF 3101	● ● ●		● ● ●	●		●				●	●	●	●	●	●				●
Contax																					
S2	A D	380/382	●																		
MD 137 / MD 139 / MA 137 / 159 MM / RTS II/167 MT (ab SCA 380-M3)	A D	380/ 382	●	●	●	●															
AX / RTS III / G1 / G2 / ST (ab SCA 380-M3)	A D	380	●	●	●	●	●					●									
RX (ab SCA 380-M3)	A D	380	●	●	●	●	●	●				●									
	A D	382	●	●	●	●	●	●				●									
Cosina																					
CT-3/CT-4/CT-7/CT-10/ CT-20/CS-2/CS-3	A D	360	●		●																
Hasselblad																					
500 ELX/503 CX/201/203 553 ELX/205 TCC	A D	390 ¹⁾	●	●		●															
Leica																					
R4/R4s	A D	351	●	●	●																
R5/R-E	A D	351	●	●	●	●															
R6/R6-2	A D	351	●	●		●															
R7	A D	351	●	●	●	●	●														
R8	C B	3501 3501	● ●	● ●	● ●	● ●	● ●	● ●				● ●	● ●	● ●	● ●	● ●	● ●				●

	Flash unit group	SCA adapter code	Flash ready light in camera viewfinder	Correct exposure light in camera viewfinder	Automatic flash synch	TTL flash control	TTL fill-in flash control	TTL flash exposure correction	A-TTL flash control	Cordless TTL flash control ⁷⁾	Triggering control	Synchronization with 1st or 2nd shutter blind	Power zoom reflector control ⁷⁾	Autofocus measuring beam control ⁷⁾	Flash range indication ⁷⁾	Automatic flash programs	Automatic aperture control	Contrast control	3-D multi-sensor measurement ⁷⁾	Red-eye reduction facility ⁷⁾	Connecting cable SCA 3000 C Adaptation of SCA 3000 adapters to SCA 300 handle-mount flashguns and compact flash units with Power Grip G.15
Mamiya																					
RZ-67/RZ-67 PRO II	A D	395 ¹⁾	●																		
Minolta																					
X 300S/X 370N/XD/ XG/X 300/X 370	A D	331	●	●	●																
X 500/X 570/X 700	A D	331	●	●	●	●															
CLE	A D	331	●		●	●					●										
5000/7000/9000/ MAXXUM 5000/7000/9000	A D	331	●		●	●										●					
5000 ²⁾ /7000 ²⁾ /9000 ²⁾	C	3301	●	●	●	●	●						●		●	●					
MAXXUM 5000 ²⁾ /7000 ²⁾ /9000 ²⁾	B	3301	●	●	●	●	●									●					●
3000i/3700i/ 5000i/5700i	A D	333/2AF ²⁾	●	●	●	●					●			●		●					
	C	3301	●	●	●	●					●		●	●	●	●					
	B	3301	●	●	●	●					●		●	●	●	●					●
7000i/7700i/ 8000i/8700i/ SPXi/2xi	A D	333/2AF	●	●	●	●	●				●			●		●					
	C	3301	●	●	●	●	●				●		●	●	●	●					
	B	3301	●	●	●	●	●				●		●	●	●	●					●
3xi (ab SCA 333/2AF M1)/300si	A D	333/2AF	●	●	●	●	●				●			●		●					
Vectis S-1/ 5xi/500 si/7xi (ab SCA 333/2 AF M2)	C	3301	●	●	●	●	●			●	●		●	●	●	●					
	B	3301	●	●	●	●	●				●		●	●	●	●					●
	A D	333/2AF ²⁾	●	●	●	●	●				●			●		●					
9xi	C	3301	●	●	●	●	●			● ²⁾	●		●	●	●	●					
	B	3301	●	●	●	●	●				●		●	●	●	●					●
	A D	333/2AF ²⁾	●	●	●	●	●	●			●			●		●					
700 si	C	3301	●	●	●	●	●	●		●	●		●	●	●	●					
	B	3301	●	●	●	●	●	●			●			●		●					●
	A D	333/2AF ²⁾	●	●	●	●	●	●			●			●		●					
600 si	C	3301	●	●	●	●	●	●		●	●		●	●	●	●					
	B	3301	●	●	●	●	●	●			●			●		●					●
Nikon																					
F3	E F	344	●	●	●	●															
	E F	345	●	●	●	●															
	A D	343	●	●	●																
FE/EM/FG-20	C	346/2AF	●	●	●																
	B	3401	●	●	●																●
	A D	343	●	●																	
FM-2	C	346/2AF	●	●																	
	B	3401	●	●	●																●
	A D	343	●	●	●	●															
FE-2/FA/FG/ F 301/N 2000	C	346/2AF	●	●	●	●															
	B	3401	●	●	●	●															●
	A D	343	●	●	●	●	●	●			●					●					
F 601 M/N 6000	C	346/2AF	●	●	●	●	●	●			●					●					
	B	3401	●	●	●	●	●	●			●					●					●
	A D	343	●	●	●	●	●	●			●					●					
F 501/N 2020	C	346/2AF	●	●	●	●								●		●					
	B	3401	●	●	●	●								●		●					●
	A D	343	●	●	●	●								●		●					
F 401/F 401s/N 4004	C	346/2AF	●	●	●	●								●		●					
	B	3401	●	●	●	●								●		●					●

	Flash unit group	SCA adapter code	Flash, ready light in camera viewfinder	Correct exposure light in camera viewfinder	Automatic flash synch	TTL flash control	TTL fill-in flash control	TTL flash exposure correction	A-TTL flash control	Cordless TTL flash control ⁷⁾	Triggering control	Synchronization with 1st or 2nd shutter-blind	Power zoom reflector control ⁷⁾	Autofocus measuring beam control ⁷⁾	Flash range indication ⁷⁾	Automatic flash programs	Automatic aperture control	Contrast control	3-D multi-sensor measurement ⁷⁾	Red-eye reduction facility ⁷⁾	Connecting cable SCA 3000 C Adaptor of SCA 3000 adapter's to SCA 300 handle mount flashguns and compact flash units with Power Grip G 15
Nikon																					
F 601/N 6006	A D	343	●		●	●	●	●				●				●					
		346/2AF ¹⁾	●	●	●	●	●	●				●		●		●					
	C	3401	●	●	●	●	●	●				●		●		●					
F 401x/F 50	B	3401	●	●	●	●	●	●				●		●		●					●
	A D	343	●		●	●	●	●								●					
		346/2AF ¹⁾	●	●	●	●	●	●						●		●					
F 4 ¹⁾ /F 4s ¹⁾ /F 801/ F 801s/N 8008	C	3401	●	●	●	●	●	●				●	●	●	●	●					
	B	3401	●	●	●	●	●	●				●		●		●					●
	A D	343	●	●	●	●	●	●								●					
F 90 X/F 90/N 90 F5 (ab SCA 3401 M4)		346/2AF ¹⁾	●	●	●	●	●	●				●		●		●					
	C	3401 ²⁾	●	●	●	●	●	●				●	●	●	●	●			●	●	
	B	3401 ²⁾	●	●	●	●	●	●				●		●		●					●
F 70	A D	343	●	●	●	●	●	●				●		●		●					
		346/2AF	●	●	●	●	●	●				●		●		●					
	C	3401 ³⁾	●	●	●	●	●	●				●	●	●	●	●			●	●	
	B	3401 ³⁾	●	●	●	●	●	●			●		●		●						●
Olympus																					
OM-1N	A D	321	●	●																	
OM-10/OM-10 Quartz/ OM-20/OM-G/OM-30/OM-F	A D	321	●	●	●																
OM-2N/OM-4/OM 88/ OM-2SP/OM-40/OM 101	A D	321	●	●	●	●					●										
OM-707/OM-77AF	A D	321	●	●	●	●					●										
OM-2	A D	321			●						●										
Pentax																					
LX (mit Sucherschuh)	A D	372	●	●	●	●					●										
+Pentax 4P Synchcord B ¹⁾	G H	373, 373/2	●	●	●	●					●										
LX+Pentax 4P Synchcord A ¹⁾	G H	373, 373/2	●	●	●	●					●										
ME-Super/ME-F/MG	A D	372	●	●	●																
+Pentax 4P Synchcord B ¹⁾	G H	373, 373/2	●	●	●																
MV/MV-1	A D	372	●	●	●																
+Pentax 4P Synchcord B ¹⁾	G H	373, 373/2	●	●	●																
Progr. A/A3/A3000/P30/ P30N/P3N/P30T/P50	A D	372	●	●	●																
+Pentax 4P Synchcord B ¹⁾	G H	373, 373/2	●	●	●																
Super A/645	A D	372	●	●	●	●					●										
+Pentax 4P Synchcord B ¹⁾	G H	373, 373/2	●	●	●	●					●										
SFX/SF1	A D	372	●	●	●	●					●	●		●		●					
		374/2AF	●	●	●	●	●				●	●	●	●	●	●					
	C	3701	●	●	●	●	●				●	●	●	●	●	●			●		
+Pentax 4P Synchcord B ¹⁾	B	3701	●	●	●	●	●				●	●	●	●	●	●					●
	G H	373, 373/2	●	●	●	●					●										
	A D	372	●	●	●	●															
SFXn/SF1n/SF7/SF10		374/2AF	●	●	●	●					●	●	●	●	●	●					
	C	3701	●	●	●	●	●				●	●	●	●	●	●			●		
	B	3701	●	●	●	●	●				●	●	●	●	●	●					●
+Pentax 4P Synchcord B ¹⁾	G H	373, 373/2	●	●	●	●					●										
	A D	374/2AF ¹⁾	●	●	●	●	●				●	●	●	●	●	●					
	C	3701	●	●	●	●	●				●	●	●	●	●	●			●		
Z-1P/Z-5P	B	3701	●	●	●	●	●				●	●	●	●	●	●					●
	A D	374/2AF ¹⁾	●	●	●	●	●	●				●	●	●	●	●					
	C	3701	●	●	●	●	●	●				●	●	●	●	●			●		
	B	3701	●	●	●	●	●				●	●	●	●	●	●					●

			Flash unit group	SCA adapter code	Flash ready light in camera viewfinder	Correct exposure light in camera viewfinder	Automatic flash synch	TTL flash control	TTL fill-in flash control	TTL flash exposure correction	A-TTL flash control	Cordless TTL flash control ⁷⁾	Triggering control	Synchronization with 1st or 2nd shutter blind	Power zoom reflector control ⁷⁾	Autofocus measuring beam control ⁷⁾	Flash range indication ⁷⁾	Automatic flash programs	Automatic aperture control	Contrast control	3-D multi-sensor measurement ⁷⁾	Red-eye reduction facility ⁷⁾	Connecting cable SCA 3000 C Adaptation of SCA 3000 adapters to SCA 300 handle-mount flashguns and compact flash units with Power Grip G 1.5
Praktica																							
BMS	A D	321	●	●																			
BC 1/BCA	A D	321	●	●	●																		
BX 20	A D	321	●	●	●	●																	
Ricoh																							
XR-1S/KR-5S	A D	364	●																				
XR-2S/XR-S/XR-F/XR-7/ XR-6/XR-20SP/KR-10/ KR-10S/KR-30SP/KR-10M	A D	364	●			●																	
XR-P/XR-X/XR-M	A D	364	●	●	●	●	●																
XR-X 3 PF	A D	364 ²⁾	●	●	●	●	●	●	●	●													
Rollei																							
SL 2000F/3003/3001	A D	356 ¹⁾	●	●	●	●																	
SL 66E/SL66X/SL66SE/2,8GX	A D	356 ¹⁾					●																
SL6006/SL6002/SL6008	A D	356 ¹⁾	●	●			●																
Sigma																							
SA 300/SA 300 N	C	3601	●	●	●	●	●	●	●	●		●	●	●	●	●	●	●	●			●	
	B	3601	●	●	●	●	●	●	●	●			●	●	●	●	●	●	●			●	●
Yashica																							
FX-D Quartz/107 MP/108 MP	A D	380/382	●			●																	
FX-3 Super/FX-7 Super	A D	380/382	●																				
FX-103	A D	380/382	●	●	●	●																	
200 AF	A D	380/382	●			●																	
	A D	381/2AF	●			●										●							
230 AF	A D	380/382	●	●	●	●	●																
	A D	381/2AF	●	●	●	●	●									●							
270 AF/300 AF	A D	380/382	●			●										○							
	A D	381/2AF	●			●										○							